

August 13, 2020

ADDENDUM NO. ONE to the plans and specifications for the MACOMB COUNTY JAIL, DOOR REPLACEMENT PROJECT, Mt. Clemens, MI, Architect's Project No. 201877, dated July 15, 2020.

The above plans and specifications are modified, supplemented or augmented as follows, and this ADDENDUM NO. ONE, is hereby made a part of the contract documents.

Drawing A6.1 is being issued with this Addendum. A Sign-In Sheet is being issued.

GENERAL ITEMS:

- ITEM NO. 1:** Attached please find the Sign-In Sheet from the non-mandatory pre-bid meeting held on August 6, 2020 at the Jail.
- ITEM NO. 2:** The Jail Administration's intent is to clear the Mental Health area of the facility prior to physical start of work to facilitate the removal of existing and installing of new doors and frames. Area will be vacated only when doors, frames and hardware are on site and ready for installation.
- ITEM NO. 3:** Refer to Sheet A6.1 (revised & reissued):
Clarifying vision lite dimensions in doors and frames.
- ITEM NO. 4:** Refer to Door F139A:
The entire sliding locking device is to be replaced.
- ITEM NO. 5:** Refer to Spec Section 08710 Finish Hardware-2.2.B:
Add RR Brinks as an acceptable manufacturer for locking devices.
- ITEM NO. 6:** Refer to Spec Section 11193-Security Hollow Metal Doors and Frames-2.01A:
Add American Steel as an acceptable manufacturer for Security Hollow Doors and Frames.
- ITEM NO. 7:** Answers to questions received on 8/11/20:
1. Is this project subject to prevailing wage labor rates: **No**
2. Are background/clearances required for employees to access/work within the facility? **Yes, including those associated with any deliveries into secure areas.**
3. Are there specific working hours/access times to the facility? Are four 10 hour working days available? **Hours of work will be determined with Sheriffs Dept. after award of contract.**

4. Is a staging /storage area available for the materials onsite?
Yes, this will be determined with Sheriffs Dept. after award of project.
5. Will you post a list of companies who attended the Pre-Bid Meeting? **Yes, Refer to Item No. 1 of Addendum No. 1.**

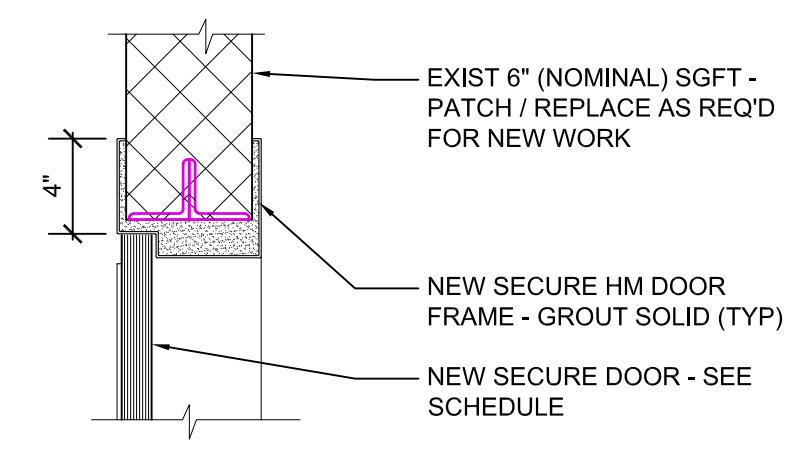
ITEM NO. 8:

Answers to questions received at the walk thru on 8/6/20:

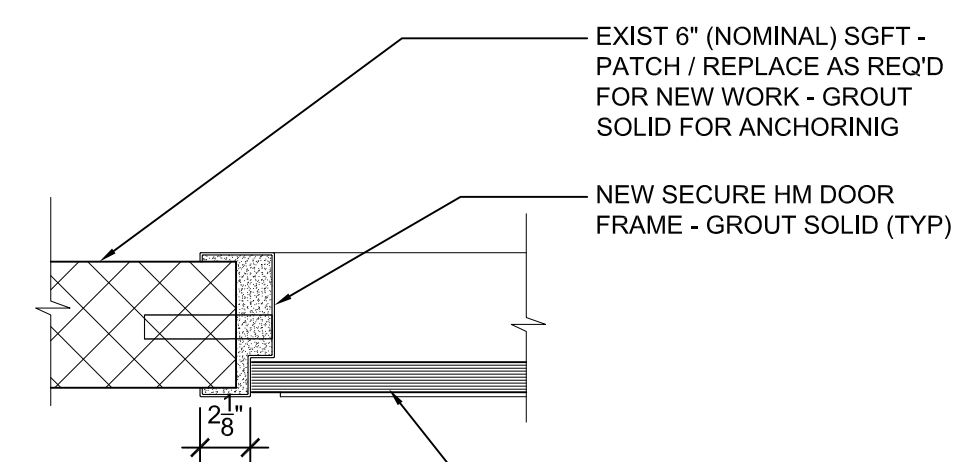
1. Cut steel over doors to Mental Health (see detail 9-A6.1)
2. Contractor to paint new cell numbers and letters to replace designation of each door/frame.
3. Paint color for doors (match the current color)
4. Who is to remove the Cameras in 3 cells and over main doors?
These will be removed and reinstalled by others.
5. Who is responsible for unhooking and reconnecting the wires to the cell doors? **The awarded General Contractor.**

END OF ADDENDUM NO. 1

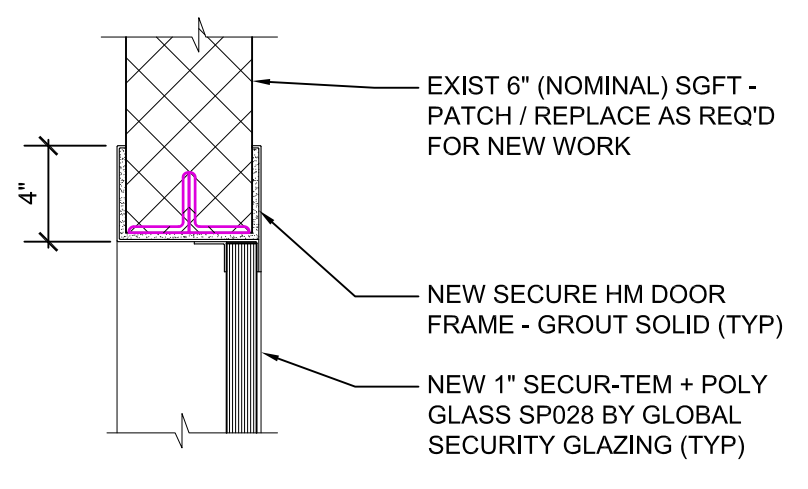
Cc: Lynn Arnott-Bryks, Macomb County Facilities & Operations
Larry Lee, Macomb County Purchasing
Anthony Toreli, Macomb County Purchasing



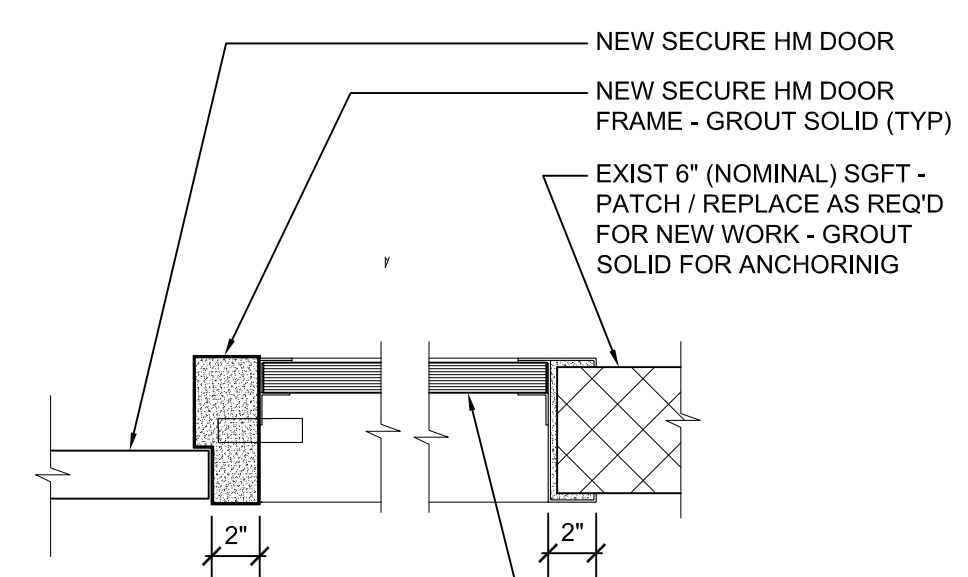
6 HEAD DETAIL
A6.1 SCALE: 1 1/2" = 1'-0"



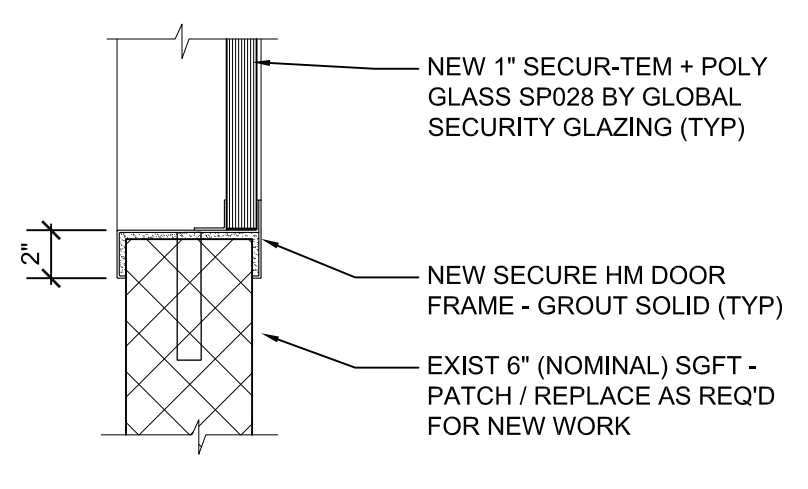
1 JAMB DETAIL
A6.1 SCALE: 1 1/2" = 1'-0"



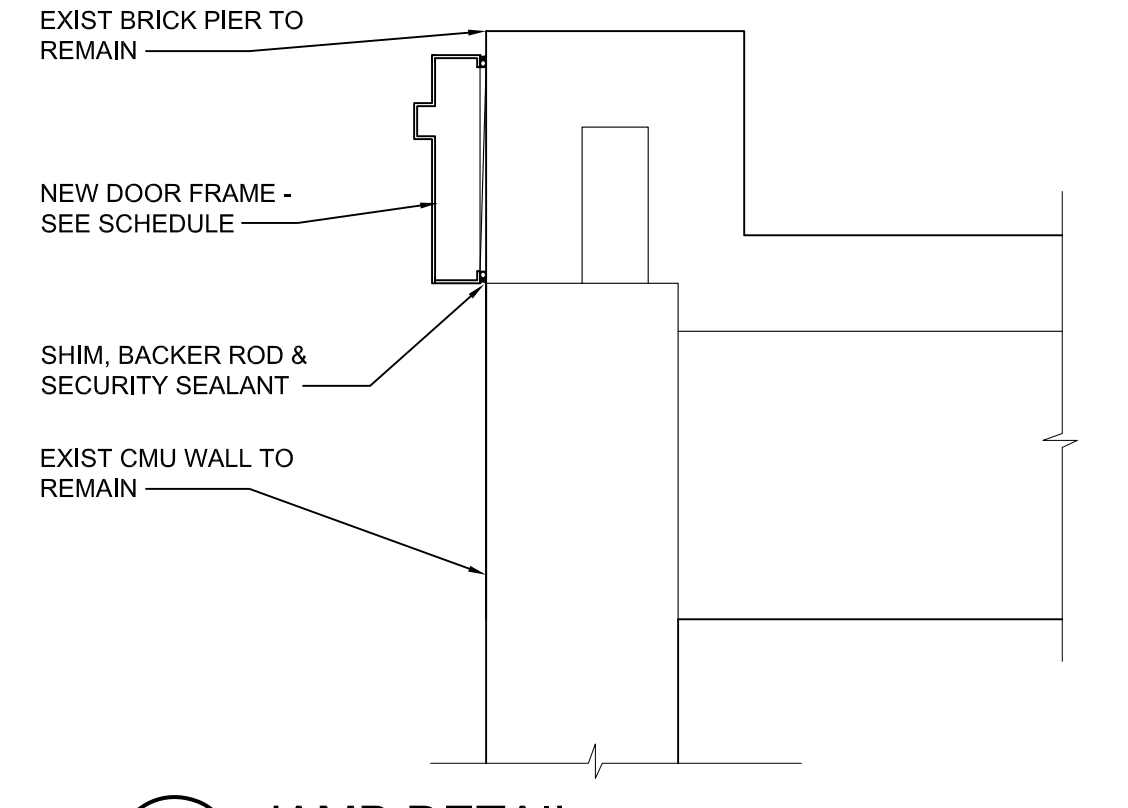
7 HEAD DETAIL
A6.1 SCALE: 1 1/2" = 1'-0"



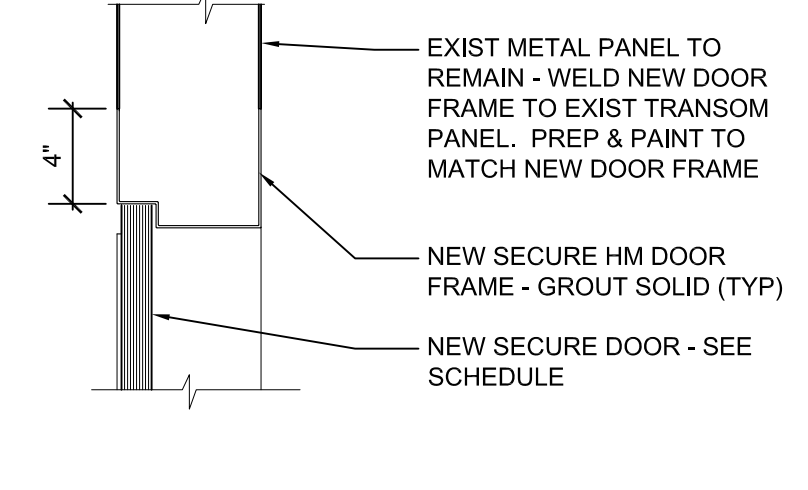
2 JAMB DETAIL
A6.1 SCALE: 1 1/2" = 1'-0"



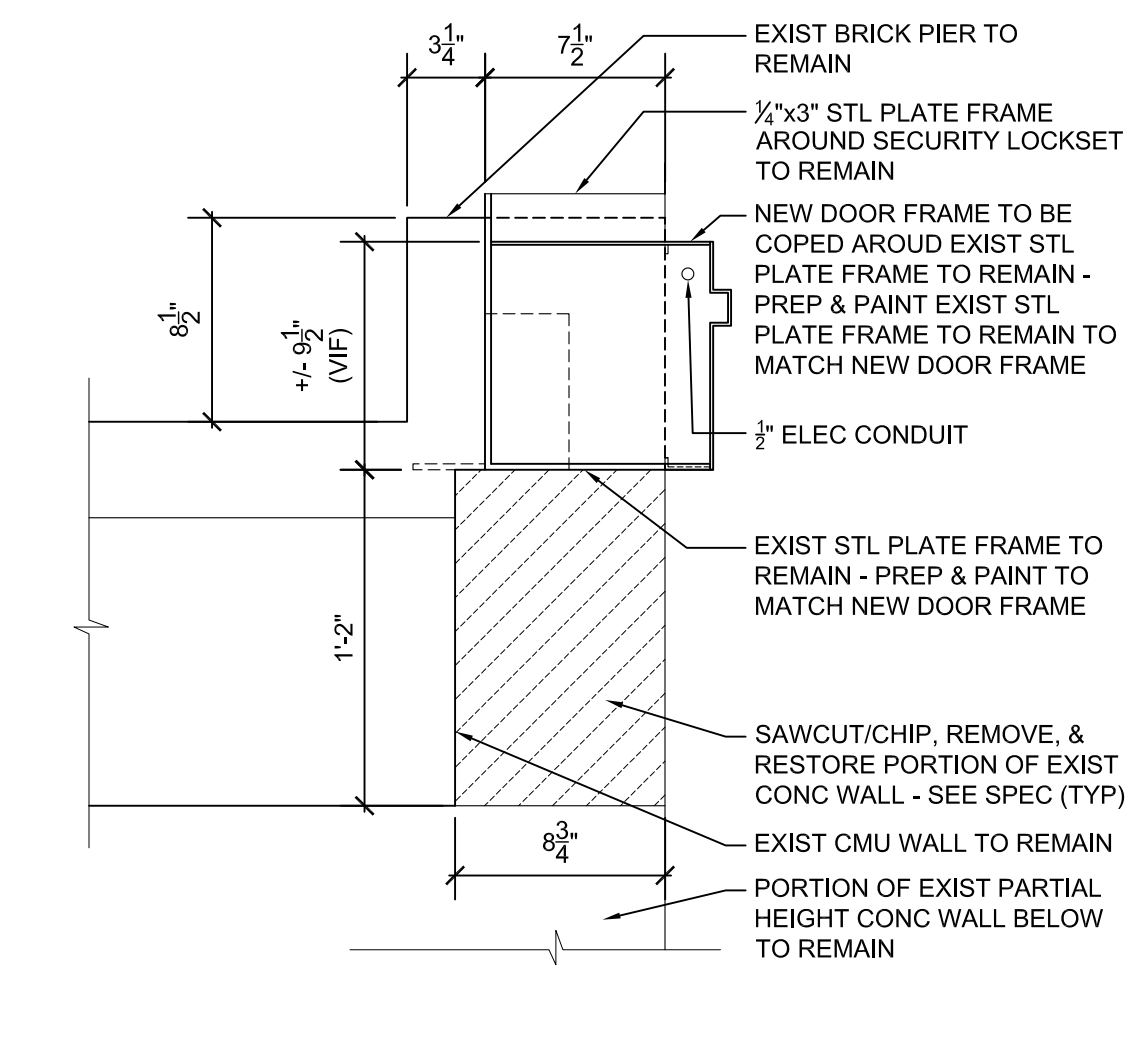
8 SILL DETAIL
A6.1 SCALE: 1 1/2" = 1'-0"



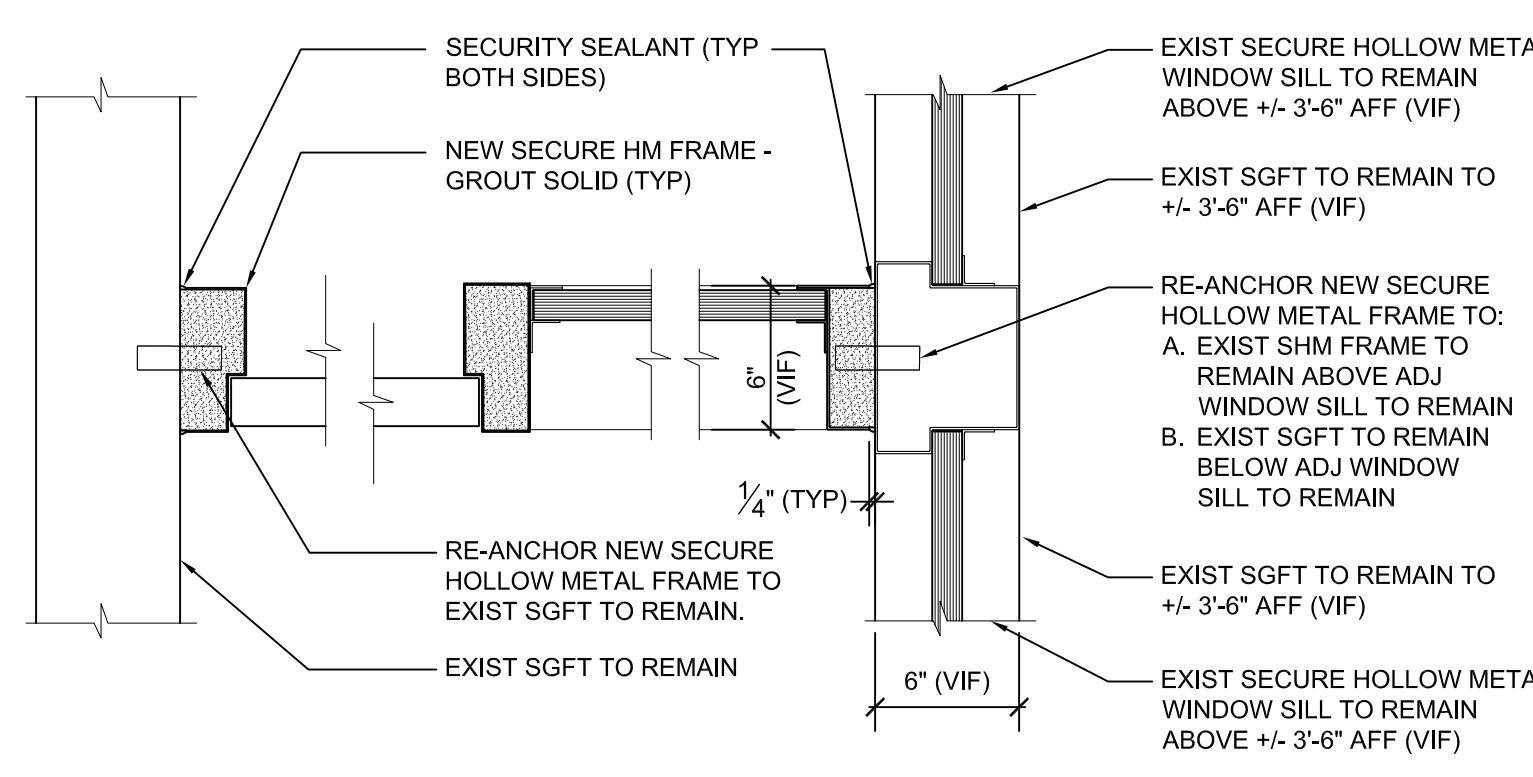
3 JAMB DETAIL
A6.1 SCALE: 1 1/2" = 1'-0"



9 HEAD DETAIL
A6.1 SCALE: 1 1/2" = 1'-0"



4 JAMB DETAIL
A6.1 SCALE: 1 1/2" = 1'-0"



5 JAMB DETAIL
A6.1 SCALE: 1 1/2" = 1'-0"

DOOR SCHEDULE

NO.	WIDTH	HEIGHT	DOOR			FRAME			DETAILS			THRESHOLD	U.L. LABEL	HARDWARE SET	REMARKS	EXIST DOOR NO.
			TYPE	MATERIAL	FINISH	TYPE	MATERIAL	FINISH	HEAD	JAMB	SILL					
FIRST FLOOR																
F139A	2'-8"	6'-2"	NL1	SHM	PT	1	ETR	PT	-	-	-	-	-	-	2	1044
K134A	3'-4"	7'-2"	NL2	M	PT	2	SHM	PT	-	-	-	-	-	-	1,3,4,5	-
SECOND FLOOR																
M224A	2'-8"	7'-0"	G1	SHM	PT	3	SHM	PT	-	-	-	-	-	-	1,3	E201
M225A	2'-8"	7'-0"	G1	SHM	PT	3	SHM	PT	-	-	-	-	-	-	1,3	E202
M226A	2'-8"	7'-0"	G1	SHM	PT	3	SHM	PT	-	-	-	-	-	-	1,3	E203
M227A	2'-8"	7'-0"	G1	SHM	PT	3	SHM	PT	-	-	-	-	-	-	1,3	E204
M228A	2'-8"	7'-0"	G1	SHM	PT	3	SHM	PT	-	-	-	-	-	-	1,3	E205
M229A	2'-8"	7'-0"	G1	SHM	PT	3	SHM	PT	-	-	-	-	-	-	1,3	E206
M230A	2'-8"	7'-0"	G1	SHM	PT	3	SHM	PT	-	-	-	-	-	-	1,3	E207
M231A	2'-8"	7'-0"	G1	SHM	PT	3	SHM	PT	-	-	-	-	-	-	1,3	E208
M232A	2'-8"	7'-0"	G1	SHM	PT	3	SHM	PT	-	-	-	-	-	-	1,3	E209
M233A	2'-8"	7'-0"	G1	SHM	PT	3	SHM	PT	-	-	-	-	-	-	1,3	E210
M234A	2'-8"	7'-0"	G1	SHM	PT	3	SHM	PT	-	-	-	-	-	-	1,3	E211
M235A	2'-8"	7'-0"	G1	SHM	PT	3	SHM	PT	-	-	-	-	-	-	1,3	E212
M236A	2'-8"	7'-0"	G1	SHM	PT	3	SHM	PT	-	-	-	-	-	-	1,3	E213
M237A	2'-8"	7'-0"	G1	SHM	PT	3	SHM	PT	-	-	-	-	-	-	1,3	E214
M238A	2'-8"	7'-0"	G1	SHM	PT	3	SHM	PT	-	-	-	-	-	-	1,3	E215
M239A	2'-8"	7'-0"	G1	SHM	PT	3	SHM	PT	-	-	-	-	-	-	1,3	E216
M240A	2'-8"	7'-0"	G1	SHM	PT	3	SHM	PT	-	-	-	-	-	-	1,3	E217
M256A	3'-0"	7'-0"	NL3	SHM	PT	5	SHM	PT	-	-	-	-	-	-	1,3,6	E231
M259A	3'-0"	7'-0"	NL3	SHM	PT	4	SHM	PT	-	-	-	-	-	-	1,3,6	E219A

REMARKS - DOOR SCHEDULE

1	REMOVE & REPLACE EXISTING SECURE HOLLOW METAL DOOR AND FRAME COMPLETE
2	REMOVE & REPLACE EXISTING SECURE SLIDING DOOR (POWERED) COMPLETE - EXISTING FRAME TO REMAIN
3	6" DEEP DOOR FRAME (VIF)
4	ALL EXISTING CONDITIONS TO BE VERIFIED IN FIELD
5	STEEL PLATE FRAME AROUND SECURITY HARDWARE TO REMAIN
6	REPLACE EXIST FLOORING TRANSITION TO MATCH EXIST AS REQ'D FOR NEW WORK (VIF)

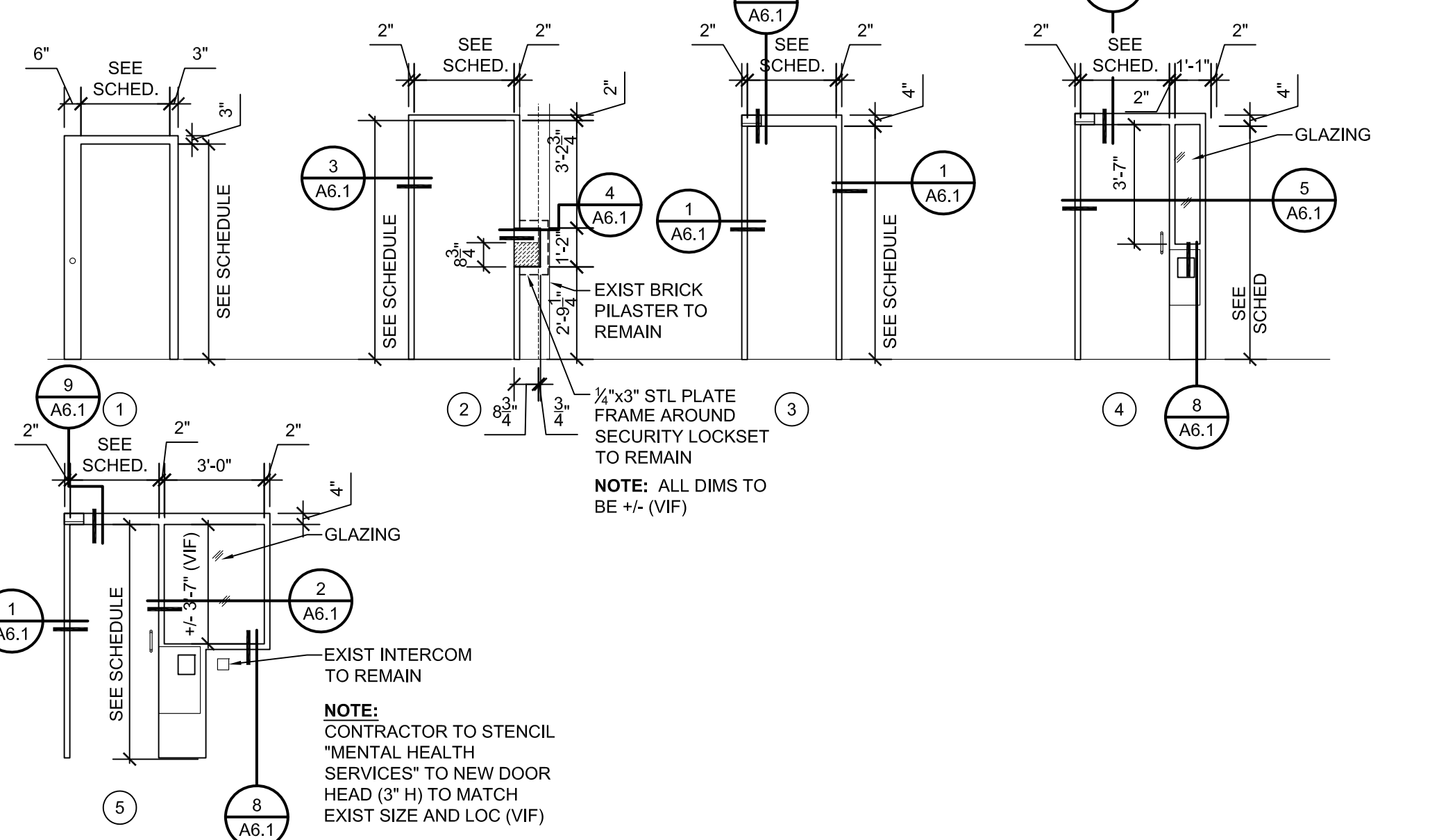
ABBREVIATIONS

ETR	EXISTING TO REMAIN	PT	PAINTED
HM	HOLLOW METAL	SHM	SECURE HOLLOW METAL

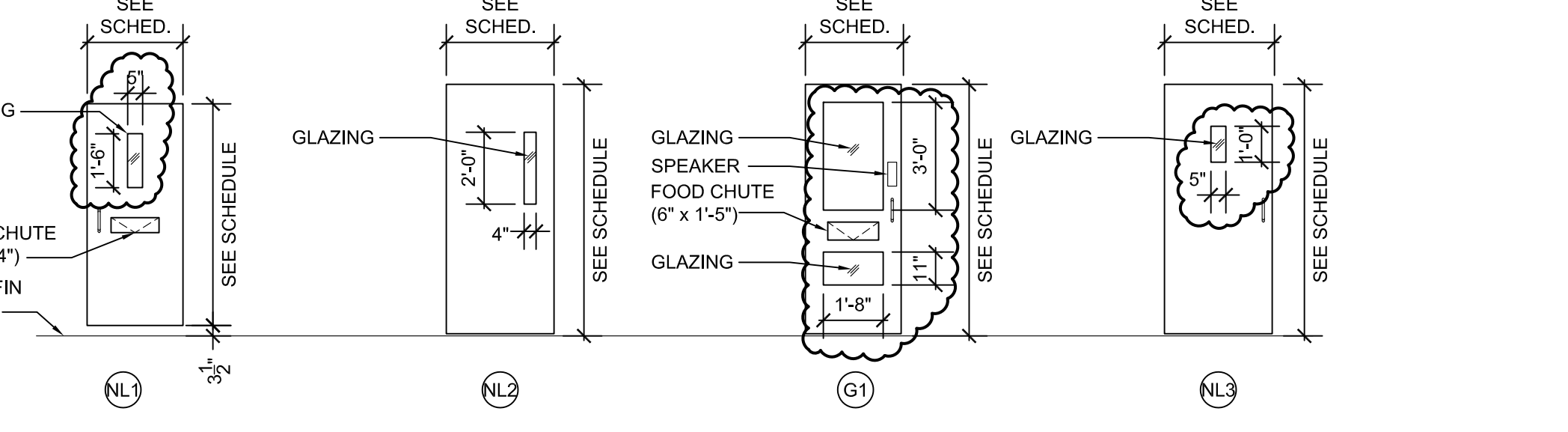
TYPICAL NOTES:

- EXISTING DOOR NUMBERS LISTED FOR REFERENCE PURPOSES ONLY. REFER TO SPECIFICATION SECTION 11192 - SECURITY HARDWARE FOR ADDITIONAL INFORMATION.

FRAME ELEVATIONS:



DOOR ELEVATIONS:



WAKELY ASSOCIATES, INC.
ARCHITECTS

30500 VAN DYKE AVENUE
SUITE 209
WARREN, MICHIGAN 48093
PH: 586.573.4100
FX: 586.573.0822
www.WakelyAIA.com

MACOMB COUNTY EXECUTIVE
DOOR REPLACEMENT PROJECT
MACOMB COUNTY JAIL

DOOR SCHEDULE & DETAILS

- PRELIMINARY
- DESIGN DEVELOPMENT
- CONSTRUCTION
- FINAL RECORD

DRAWN BY: JMS
CHECKED BY: RAS

REVISIONS:
ADD No 01 08-11-2020

DATE: JULY 15, 2020
SHEET NO.:

A6.1

JOB NO.: 201877